



PROJECT		REF		REV	ITEM CODE	
LOCATION		DATE			PAGE	

SANITARY WARE SPECIFICATION SHEET

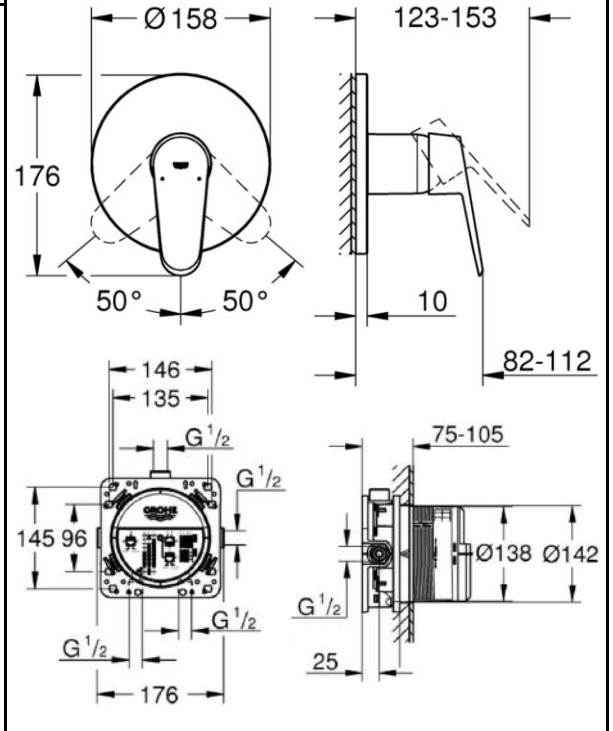
Item Descriptions	GROHE (Germany) "Eurodisc Cosmopolitan" Chrome plated 1/2" single-lever shower mixer trim with concealed body	Illustration/ Drawing
Dimensions	L158 x W153 x H176 mm	
Model	24055002 (Shower Mixer) 35600000 (Mounting box)	
Finish	Chrome Plated	
Country of origin	Germany	
Manufacturer	GROHE Limited	
Supplier	Acme Sanitary Ware Co. Ltd Mr. Eric Wong/ Mr. Don Yuen	
Contact Tel/Fax E-mail Website	(852) 2388-7171 / (852) 2710-8012 acme@acmesanitary.com.hk www.acmesanitary.com.hk	

"Eurodisc Cosmopolitan"
1/2" single-lever shower mixer trim

- set for final installation for
- GROHE Rapido SmartBox 35 600 000
- **GROHE SilkMove** 46 mm ceramic cartridge
- **GROHE StarLight** chrome finish
- wall escutcheon with **GROHE QuickFix** (covered escutcheon- and shaft sealing, covered fixing)
- metal escutcheon, retroactively 6° adjustable
- metal lever
- flow performance:
outlet B or C = 30 l/min
- **without roughing-in-set**

GROHE Rapido SmartBox

- Universal rough-in box, 1/2"
- 3 outlets 1/2"
- 2 inlets below, 1/2"
- installation depth 75-105 mm
- connection unit in DR brass
- pre-mounted flushing plug
- stable build-in box and protective cover
- fixing options for solid walls and dry cladding
- gasket
- without set for final installation



Note: [YouTube \(Rapido SmartBox | Installation Video\) https://www.youtube.com/watch?v=KsWdVrq9fVI](https://www.youtube.com/watch?v=KsWdVrq9fVI)

* All information of the above is for the reference only. No prior notice is made if any changes.



Acme Sanitary Ware Co Ltd

Acme Building, 22-28 Nanking Street, Kowloon, Hong Kong
 Tel: 2388 7171 Fax: 2710 8012
 E-mail: acme@acmesanitary.com.hk
 Website: www.acmesanitaryware.com.hk



Pure Freude
an Wasser

PROJECT		REF		REV	ITEM CODE	
LOCATION		DATE			PAGE	

SANITARY WARE SPECIFICATION SHEET

GROHE EURODISC COSMOPOLITAN

VERSATILE & MEANINGFUL

Confidence across the board. Eurodisc Cosmopolitan fittings stand out as a result of their superior styling and their extensive product range, all boasting the "Made in Germany" seal of quality. This collection allows you infinite creativity in your quest for a personalised bathroom. The sweeping lines of the washbasin faucet allow comfortable, splash-free hand-washing. Refreshingly elegant details and technical sophistication are also available for the shower and bath areas. Single-lever faucets, a complete shower system and a convenient shower caddy are just a few examples. Eurodisc Cosmopolitan turns your bathroom into a comfortable living zone.

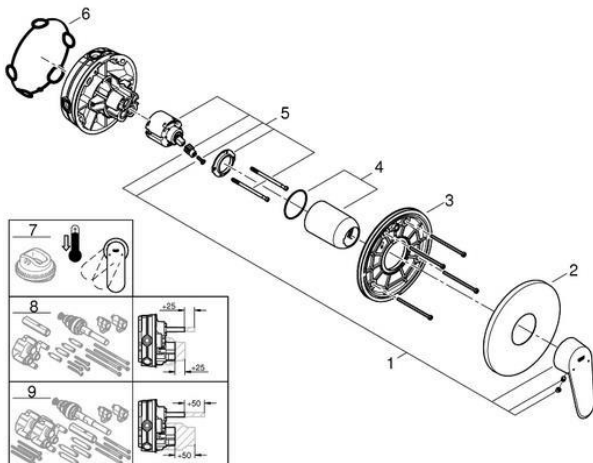


MORE THAN 200 POSSIBLE COMBINATIONS WITH GROHE RAPIDO SMARTBOX

As concealed mixing valves for showers and bathtubs are becoming increasingly successful, concealed units are in great demand. With its minimum installation depth of only 75mm, GROHE's Rapido Smartbox can be easily installed for all showers/bathtubs. The Rapido Smartbox concealed body allows you to control up to three water outlets and is compatible with all GROHE concealed models.



SPARE PARTS



Pos.-nr.	Prod. description	Order-nr.
1	Lever	46743000
2	Escutcheon	48428000
3	Mounting plate	48439000
4	Cap	02693000
5	Cartridge	46048000
6	Seal	48360000
7	Temperature limiter	46308000*
8	Universal extension set single-lever mixers, 25 mm	14056000*
9	Universal extension set single-lever mixers, 50 mm	14057000*

* Optional accessories

Note:

* All information of the above is for the reference only. No prior notice is made if any changes.



Acme Sanitary Ware Co Ltd

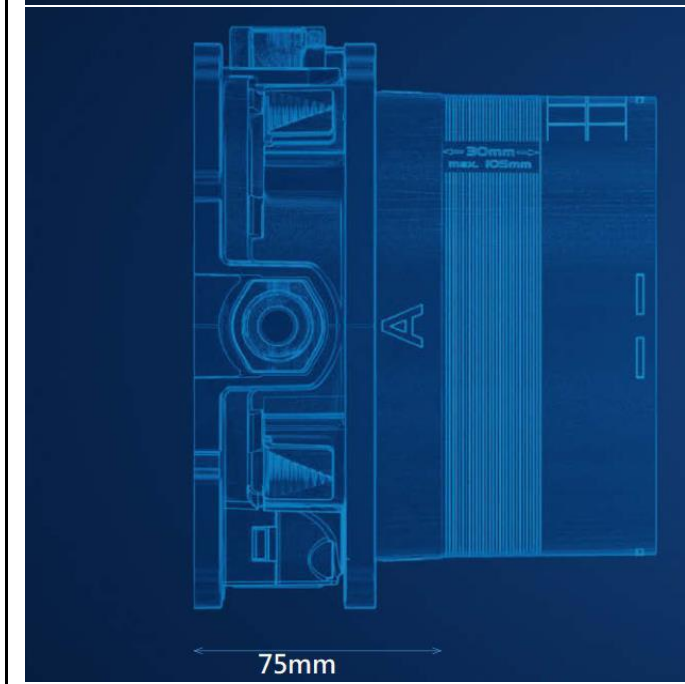
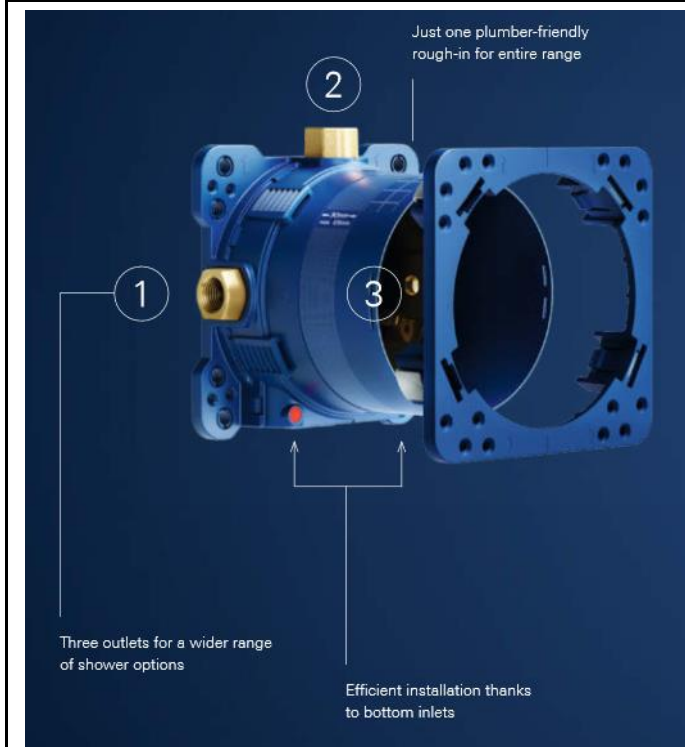
Acme Building, 22-28 Nanking Street, Kowloon, Hong Kong
Tel: 2388 7171 Fax: 2710 8012
E-mail: acme@acmesanitary.com.hk
Website: www.acmesanitaryware.com.hk



Pure Freude
an Wasser

PROJECT		REF		REV	ITEM CODE	
LOCATION		DATE			PAGE	

SANITARY WARE SPECIFICATION SHEET



Note:

* All information of the above is for the reference only. No prior notice is made if any changes.



水務
Waterworks Authority



總部 Headquarters
香港灣仔告士打道48樓
48/F, Immigration Department Building, Gloucester Road, Wan Chai, Hong Kong

本署檔號 : (4) in WSD 3321/19 T/J(501/2019)
Our ref.
來函檔號 :
Your ref.


電話 :
Tel.
傳真 : 2824 0578
Fax.

10 July 2019

Approval of "GROHE" Shower Mixer (General Acceptance No. C20190359)

Your letters ref. WRC/2066 dated 23 May 2019 and ref. C-WSD/0506 dated 20 June 2019 refer.

Having considered the test report ref. J23906r1 issued on 3 June 2019 by Nutek Systems (HK) Ltd., this Authority accepts that the fitting described below complies with, and its use when correctly installed does not contravene, the Waterworks Ordinance and Regulations.

Name of Manufacturer: Grohe AG
Country of Origin: Germany
Brand: Grohe
Details of Fitting: 1/2" Single lever shower mixer with concealed body
Model: 35600000 + 24055XX2
(where the digits "XX" denote the code of colour)
Body Markings: 
Expiry Date: 31 January 2024



This Authority hereby permits the use of the above fitting in fresh water plumbing systems subject to full adherence to Waterworks installation requirements. In particular, you are required to draw your customers' attention to the following requirement-

"The cold water supply to the fitting shall be drawn from the same source that supplies the hot water apparatus so as to provide a balanced pressure and to obviate the risk of scalding in the event of a restriction or failure in the water supply." AND

"The shower head or handspray should not be placed in submerged conditions and should be securely fixed to the original position after use."

A condition of this acceptance is that the fitting to be installed shall be replicas of the sample as certified by the testing agent mentioned above and without modifications. This acceptance may be withdrawn at any time if the standard of the fitting installed fails to meet that of the approved sample or if the fitting is found to be unsuitable for use in fresh water plumbing systems.

This acceptance is only applicable to the main body of the fitting, unless otherwise specified.

For the use of the fitting in any project, the General Acceptance Number of this letter must be quoted as a means of identification of acceptance of the fitting by this Authority.

Should you have any enquiries, please contact our Engineer Mr. Terry KUNG at tel. no. 3583 4086.

Yours faithfully,



(CHAN Chung-kun)

for Director of Water Supplies

Encl.

c.c. WSD 3321/1/82] - without catalogue
ME/MC] - with soft copy only